

# 7310 Series

An economical 304 stainless steel case with a molded Polysulfone metering tube for lighter duty applications where a case enclosed meter is preferred.

## Description

### Metering Tube

Molded Polysulfone

### Internal Components

316L Stainless Steel, Teflon Polysulfone or Hastelloy® C-276

### Inlet/Outlet Fittings

FNPT, Vertical

### Fitting Material

Standard: 316L Stainless Steel  
Optional: PVC

### Elastomers

Standard: Viton®  
Optional: Buna N, EPR, and Kalrez®

### Case and Covers

304 Stainless Steel

## Options

### Alarm

Latching Reed Switch

### Certified Calibrations

Conform to ISA RP 16.6

### Scales

Can be produced in any volumetric unit



## Polysulfone Tube

## Performance

### Capacities

.5 to 100 GPM — Water (Teflon® float)  
1.5 to 150 GPM — Water (Metal float)  
4 to 330 SCFM — Air

### Scale

127 mm (5")  
Direct Reading, Detachable

### Accuracy

± 3% of Full Scale Flow  
± 5% of Full Scale (120 & 150 GPM Metal floats)  
± 6% of Full Scale (Teflon® floats)

### Turndown

10:1 to 12.5:1, unless otherwise indicated

### Repeatability

1/2%  
1% (120 & 150 GPM Metal floats)  
1% (Teflon® floats)

### Max Temperature

316L SS Fittings — 200°F (93°C)  
PVC Fittings — 130°F (54°C)

### Max Pressure

316L SS Fittings — 200 psig  
PVC Fittings — 150 psig (sizes 41W to 72W)  
PVC Fittings — 125 psig (size 90W to 103W)

### Ambient Temperature

33°F to 125°F (1°C to 52°C)

Teflon® is a registered trademark of DuPont Corporation.

## Alarm Options:

### Latching Reed Switch

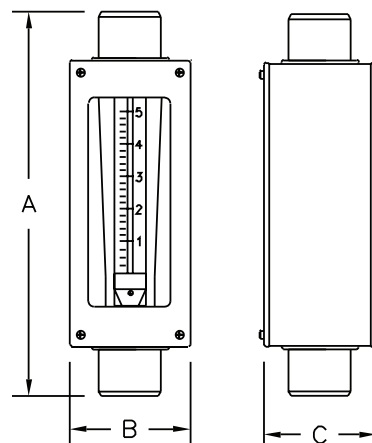
A latching reed switch is available for 7300, 7470, 7480, 7600 and 7900 Series flowmeters. The switch is reed type and uses a biasing magnet to create a latching feature. The switch is classified as a simple apparatus by UL, FM, etc. and may be suitable for hazardous use when connected to an intrinsic safety barrier. Check your local electrical code for wiring specifications.

### Switch Specifications

Switch Type: SPDT  
Max Contact Voltage: 100 Vdc  
Max Contact Current: 0.2 A  
Max Contact Power: 4 W  
Breakdown Voltage: 200 Vdc

FRONT VIEW

SIDE VIEW



Refer to specification table on page 9

# 7310 Series

# Polysulfone Tube

## Specifications:

Order Number	Flow Range Water	Float Material	Float Number	Alarm Option	Dimensions (Inches)			Connection Size
					A	B	C	
41W	.5 GPM	PVDF	4-TSL-01	no	12.875	4.625	4.50	1/2" FNPT
42W	1 GPM	Teflon®	4-TSL-02	yes	12.875	4.625	4.50	1/2" FNPT
43W	1.5 GPM	316L SS	4-SSL-01	yes	12.875	4.625	4.50	1/2" FNPT
44W	3 GPM	316L SS	4-SSL-02	yes	12.875	4.625	4.50	1/2" FNPT
45W	1.6 GPM	Hastelloy®	4-HSL-01	yes	12.875	4.625	4.50	1/2" FNPT
46W	3.2 GPM	Hastelloy®	4-HSL-02	yes	12.875	4.625	4.50	1/2" FNPT
51W	2.4 GPM	Teflon®	5-TSL-01	yes	12.875	4.625	4.50	3/4" FNPT
52W	5 GPM	Teflon®	5-TSL-02	yes	12.875	4.625	4.50	3/4" FNPT
53W	6 GPM	316L SS	5-SSL-01	yes	12.875	4.625	4.50	3/4" FNPT
54W	10 GPM	316L SS	5-SSL-02	yes	12.875	4.625	4.50	3/4" FNPT
55W	6.3 GPM	Hastelloy®	5-HSL-01	yes	12.875	4.625	4.50	3/4" FNPT
56W	10.6 GPM	Hastelloy®	5-HSL-02	yes	12.875	4.625	4.50	3/4" FNPT
61W	7.6 GPM	Teflon®	6-TSL-01	yes	12.875	4.625	4.50	1" FNPT
62W	10 GPM	Teflon®	6-TSL-02	yes	12.875	4.625	4.50	1" FNPT
63W	15 GPM	Teflon®	6-TSL-03	yes	12.875	4.625	4.50	1" FNPT
64W	20 GPM	Teflon®	6-TSL-04	yes	12.875	4.625	4.50	1" FNPT
65W	12 GPM	316L SS	6-GVL-01	yes	12.875	4.625	4.50	1" FNPT
66W	18 GPM	316L SS	6-SSL-02	yes	12.875	4.625	4.50	1" FNPT
67W	25 GPM	316L SS	6-SSL-03	yes	12.875	4.625	4.50	1" FNPT
68W	35 GPM	316L SS	6-SSL-04	yes	12.875	4.625	4.50	1" FNPT
69W	13 GPM	Hastelloy®	6-HSL-01	yes	12.875	4.625	4.50	1" FNPT
70W	19 GPM	Hastelloy®	6-HSL-02	yes	12.875	4.625	4.50	1" FNPT
71W	26.5 GPM	Hastelloy®	6-HSL-03	yes	12.875	4.625	4.50	1" FNPT
72W	37 GPM	Hastelloy®	6-HSL-04	yes	12.875	4.625	4.50	1" FNPT
90W	40 GPM	Teflon®	9-TSL-00	yes	16.000	6.250	6.25	2" FNPT
91W	60 GPM	Teflon®	9-TSL-01	yes	16.000	6.250	6.25	2" FNPT
92W	80 GPM	Teflon®	9-TSL-02	yes	16.000	6.250	6.25	2" FNPT
94W	100 GPM	Teflon®	9-TSL-04	yes	16.000	6.250	6.25	2" FNPT
99W	60 GPM	316L SS	9-SSL-00	yes	16.000	6.250	6.25	2" FNPT
95W	80 GPM	316L SS	9-SSL-01	yes	16.000	6.250	6.25	2" FNPT
96W	100 GPM	316L SS	9-SSL-02	yes	16.000	6.250	6.25	2" FNPT
97W	120 GPM	316L SS	9-SSL-03	yes	16.000	6.250	6.25	2" FNPT
98W	150 GPM	316L SS	9-SSL-04	yes	16.000	6.250	6.25	2" FNPT
100W	84 GPM	Hastelloy®	9-HSL-01	yes	16.000	6.250	6.25	2" FNPT
101W	106 GPM	Hastelloy®	9-HSL-02	yes	16.000	6.250	6.25	2" FNPT
102W	126 GPM	Hastelloy®	9-HSL-03	yes	16.000	6.250	6.25	2" FNPT
103W	160 GPM	Hastelloy®	9-HSL-04	yes	16.000	6.250	6.25	2" FNPT

Order Number	Flow Range Air	Float Material	Float Number	Alarm Option	Dimensions (Inches)			Connection Size
					A	B	C	
43A	6.1 SCFM	316L SS	4-SSL-01	yes	12.875	4.625	4.50	1/2" FNPT
44A	12.4 SCFM	316L SS	4-SSL-02	yes	12.875	4.625	4.50	1/2" FNPT
53A	25 SCFM	316L SS	5-SSL-01	no	12.875	4.625	4.50	3/4" FNPT
54A	41 SCFM	316L SS	5-SSL-02	yes	12.875	4.625	4.50	3/4" FNPT
65A	50 SCFM	316L SS	6-GVL-01	yes	12.875	4.625	4.50	1" FNPT
66A	76 SCFM	316L SS	6-SSL-02	yes	12.875	4.625	4.50	1" FNPT
67A	100 SCFM	316L SS	6-SSL-03	yes	12.875	4.625	4.50	1" FNPT
99A	245 SCFM	316L SS	9-SSL-00	yes	16.000	6.250	6.25	2" FNPT
95A	330 SCFM	316L SS	9-SSL-01	yes	16.000	6.250	6.25	2" FNPT

## Ordering:

Use the following guide to determine the specific product number you require.



### Meter Series

### Fitting Material

### Float Material

### O-Ring Material

### Optional Alarm

### Order Number

316 SS - 2

PVC\* - 3

PVDF\* - 7

\*not for air service

316L SS - 2

Hastelloy® C-276 - 4

Teflon® - 6

PVDF\* - 7

EPR - 1

Buna-N - 2

Viton® - 3

Kalrez® - 4

Without Alarm - 0

One Alarm - A

See Specifications Table

Example: 7311 - 2 - 2 - 1 - A - 53W