

Technical Data for Alicat **L-Series** Water Flow Meters

0 – 0.5 ccm Full Scale through 0 – 10 lpm Full Scale



Tel: 888-290-6060

www.alicat.com/liquid

Alicat L-Series water flow meters read both water flow and water temperature. An optional pressure sensor is also available.

Standard Specifications (Contact Alicat for available options.)

Performance	L Meters
Available Ranges	0.5 ccm to 10 lpm
Accuracy at calibration conditions after tare	± 2% Full Scale
Repeatability	± 2% Full Scale
Zero Shift and Span Shift	0.02% Full Scale / °Celsius / Atm
Operating Range / Turndown Ratio	2% to 100% Full Scale / 50:1 Turndown
Maximum Flow Rate	128% FS Measurable
Typical Response Time	20 ms (Adjustable)
Warm-up Time	< 1 Second

Operating Conditions	L Meters
Operating Temperature	+10 to +60 °Celsius
Maximum Pressure	200 psig
Mounting Attitude Sensitivity	None
Ingress Protection	IP40
Wetted Materials	302 & 303 Stainless Steel, 316L Stainless Steel, Viton®. If your application demands a different material, please contact Alicat.

Communication / Power	L Meters
Monochrome LCD or Color TFT Display with integrated touchpad	Simultaneously displays Flow and Temperature (optional Pressure sensor available)
Digital Output Signal ¹ Options	RS-232 Serial / RS-485 Serial / Modbus / PROFIBUS ³
Analog Output Signal ² Options	0-5 Vdc / 1-5 Vdc / 0-10 Vdc / 4-20 mA
Optional Secondary Analog Output Signal ²	0-5 Vdc / 1-5 Vdc / 0-10 Vdc / 4-20 mA
Electrical Connection Options	8 Pin Mini-DIN / 9-pin D-sub (DB9) / 15-pin D-sub (DB15) / 6 pin locking
Supply Voltage	7-30 Vdc (15-30 Vdc for 4-20 mA outputs)
Supply Current	0.040 Amp

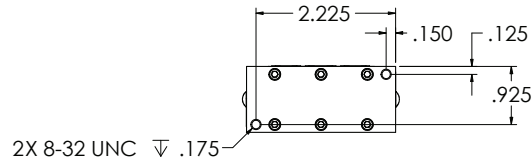
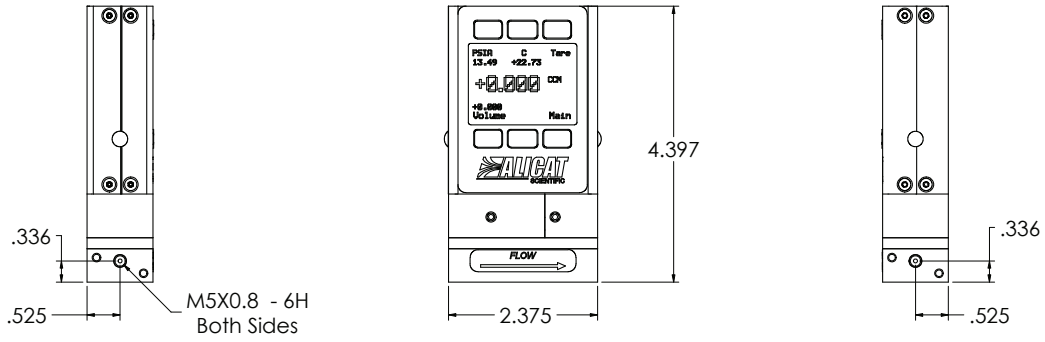
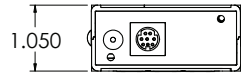
1. The **Digital Output Signal** communicates Flow and Temperature (optional Pressure sensor available)
2. The **Analog Output Signal** and **Optional Secondary Analog Output Signal** communicate your choice of Flow or Temperature
3. If selecting **PROFIBUS**, no analog signal is available. PROFIBUS units do not have the display. See PROFIBUS specifications for PROFIBUS supply voltages and currents. (www.alicat.com/profibus)

Range Specific Specifications

L Meters Full Scale Flow	Pressure Drop ¹ at FS Flow (PSID)	Mechanical Dimensions	Process Connections ²
0.5 ccm to 1 ccm	2.0	4.4"H x 2.4"W x 1.1"D	M5 (10-32) Female Thread³
2 ccm to 500 ccm	2.0	4.6"H x 2.4"W x 1.1"D	1/8" NPT Female
1 lpm	4.0		
2 lpm	4.0	4.7"H x 2.7"W x 1.1"D	1/4" NPT Female
5 lpm	10.0	5.1"H x 4.0"W x 1.6"D	1/4" NPT Female
10 lpm	20.0		

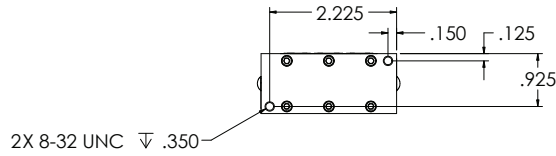
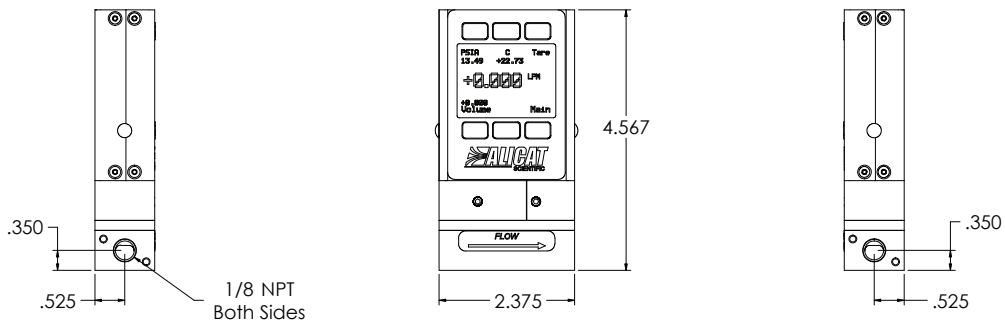
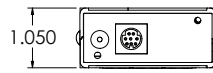
1. Lower Pressure Drops Available, please contact Alicat.
2. Compatible with Beswick®, Swagelok® tube, Parker®, face seal, push connect and compression adapter fittings. VCR and SAE connections upon request.
3. Shipped with M-5 (10-32) Male Buna-N O-ring face seal to 1/8" Female NPT fittings.

L-Series
 0 - 0.5 ccm
 0 - 1 ccm



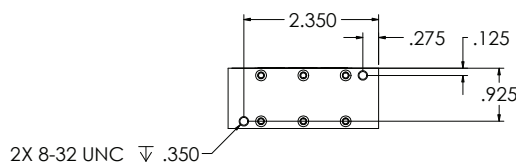
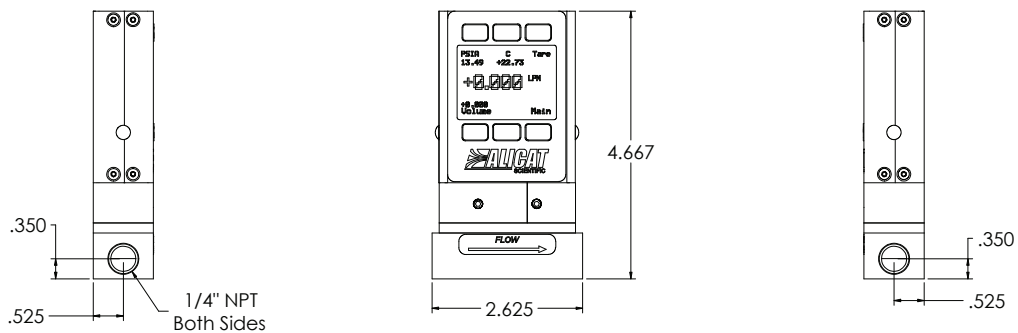
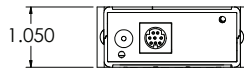
0.5 ccm to 1 ccm approximate shipping weight: 0.8lb

L-Series
 0 - 2 ccm
 0 - 5 ccm
 0 - 10 ccm
 0 - 20 ccm
 0 - 50 ccm
 0 - 100 ccm
 0 - 200 ccm
 0 - 500 ccm
 0 - 1 lpm



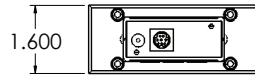
2 ccm to 1 lpm approximate shipping weight: 1.0 lb

L-Series
 0 - 2 lpm



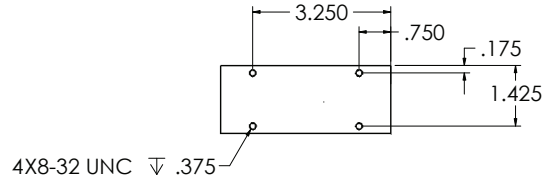
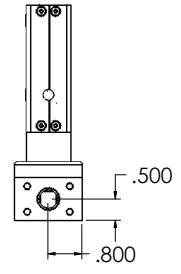
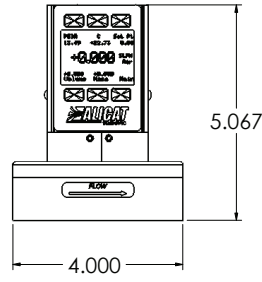
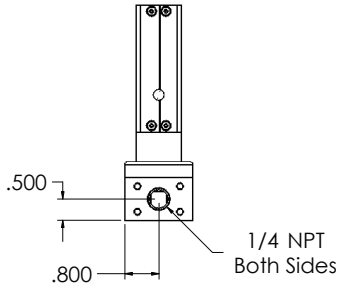
2 lpm approximate shipping weight: 1.4 lb

L-Series
0 - 5 lpm
0 - 10 lpm



Tel: 888-290-6060

www.alicat.com/liquid



5 lpm to 10 slpm approximate shipping weight: 2.4 lb.